

Global Service Network-Overseas Area

IFE Elevators & Escalators (Russia)

Tel: +7(926)-894-81-96 Email: ru@ifelift.com
Address: SK Plaza, Dmitrovskoe Road 163ak2, Moscow, Russia

M/s IFE MIDDLE EAST ELEVATORS LLC

Tel: +971(0)42505888 Email: ae@ifelift.com
Address: 502# Sapphire Tower, Ittihad Road ,Deira Dubai, UAE

IFE Elevators & Escalators (Australia) Pty Ltd

Tel: +61(0)8 9202 4666 Email: au@ifelift.com
Address: 36 Beringarra Avenue Malaga WA 6090

PT.IFE ELEVATORS INDONESIA

Tel: +62 21 22604802 Email: ifeindo@ifelift.com
Address: The Mansion Dukuh Golf Kemayoran Tower Fontana Lt.21 Unit L2 & m2,
JI Trembesi Blok D4 Pademangan Timur Pademangan Jakarta Utara Dki Jakarta 14410

IFE ELEVATORS LANKA

Tel: +94112686867 Email: SI@ifelift.com
Address: 158/9 Lake Drive colombo 08 Sri lanka

Office in Singapore

Tel: +86 13929229955
Address: 23 Genting Road #07-01/02 Chevalier House Singapore 349481

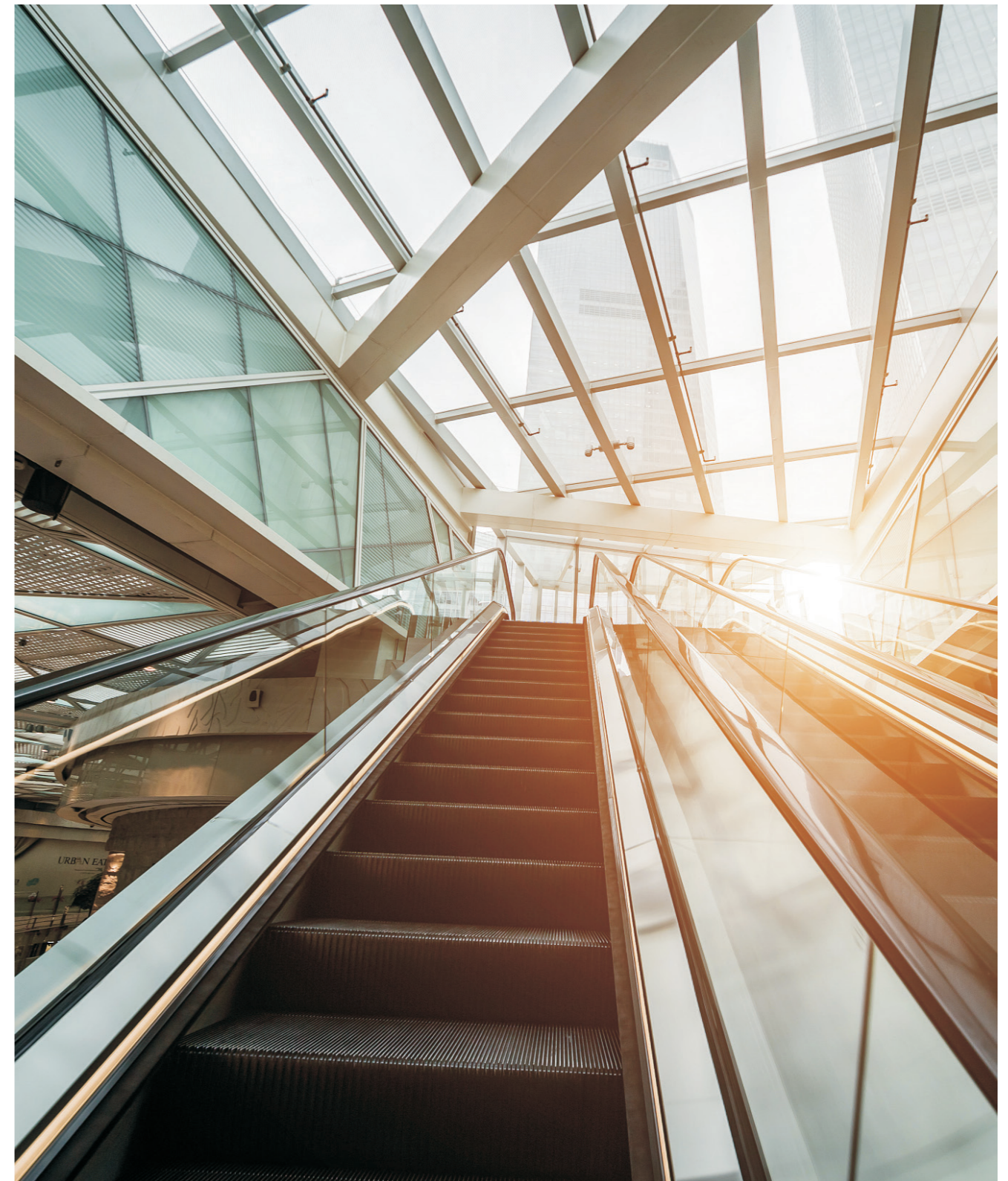


IFE ELEVATORS CO.,LTD

China Factory: Qingxi Town, Dongguan City, Guangdong
Tel: +86-769-82078888 Fax: +86-769-87732448
Hotline: 400-6789-443 Website: www.ife.cn

The image and content are just for you reference and please be subject to the actual products. Please pardon us for not informing you in advance if anything updated.
Please contact IFE for details.

201902 © All Rights Reserved @ IFE



GRACES/T2 Escalator/Travalator

Trusted by the World
Stock code: 002774





Escalator Testing Tower

Elevator Testing Tower

30 Meters Heavy Duty Testing Escalator

SAFER THAN SAFER

- First group of elevator companies awarded class A certificate in manufacturing, installation, maintenance certified by National Quality Inspection Department
- An area of 110,000 square meter global production industrial park as international leading elevator and escalator test tower
- Approved National Hi-tech Enterprises and provincial Elevator Research and Development Center
- With product sales to 5 continents 33 countries and area around the world
- 101 branches and service points in the globe
- More than 1000 after-sale service technicians and engineers



People-oriented, to Create a Safe and Comfortable Experience for Passenger

Beautiful and Magnificent, for a Better Life

IFE, actively participates in the construction of expediting urbanization, discovers the solution of high-end elevator offering GRACES serial and T2 moving walkway to passenger by advanced technology. Safe and reliable property, Durable quality, Advantage of high integration technology Provide passenger with enjoyment and relaxations when they are ascending and descending in the oblique.



Shopping mall



Hotel



Commercial centre



Public junction

CONFIDENCE



Malaysia IDCC shipping Mall Project



Philippines China Town Project



Malaysia JKCC Shopping Mall Project



Indonesia Metland Telaga Murni Station Project



Philippines Bai Hotel Project



Philippines LRT-2 Rail Project



Indonesia PALMERAH Metro Project



Shopping mall of RIENTAL PLAZA in Johannesburg, South Africa



Metro line CE-19 in New Delhi, India



Mumbai Metro Project

CONFIDENCE



Dongguan UCC Project



Huibang Shanxi SOHO Modern commercial plaza Project



Guizhou Wuxingxingang Estate Project



Shanxi Wanmashi Shopping Center Project



Shenyang ITCC Project



Jiamusi Colorful Times Square Project



Tianjin HUI-CEN International Commercial and Trade center Project



Hong Kong Lok Fu Shopping Center Project



Yunnan Hongshengda Commercial Centre Project



Foshan Shibo Plaza Project



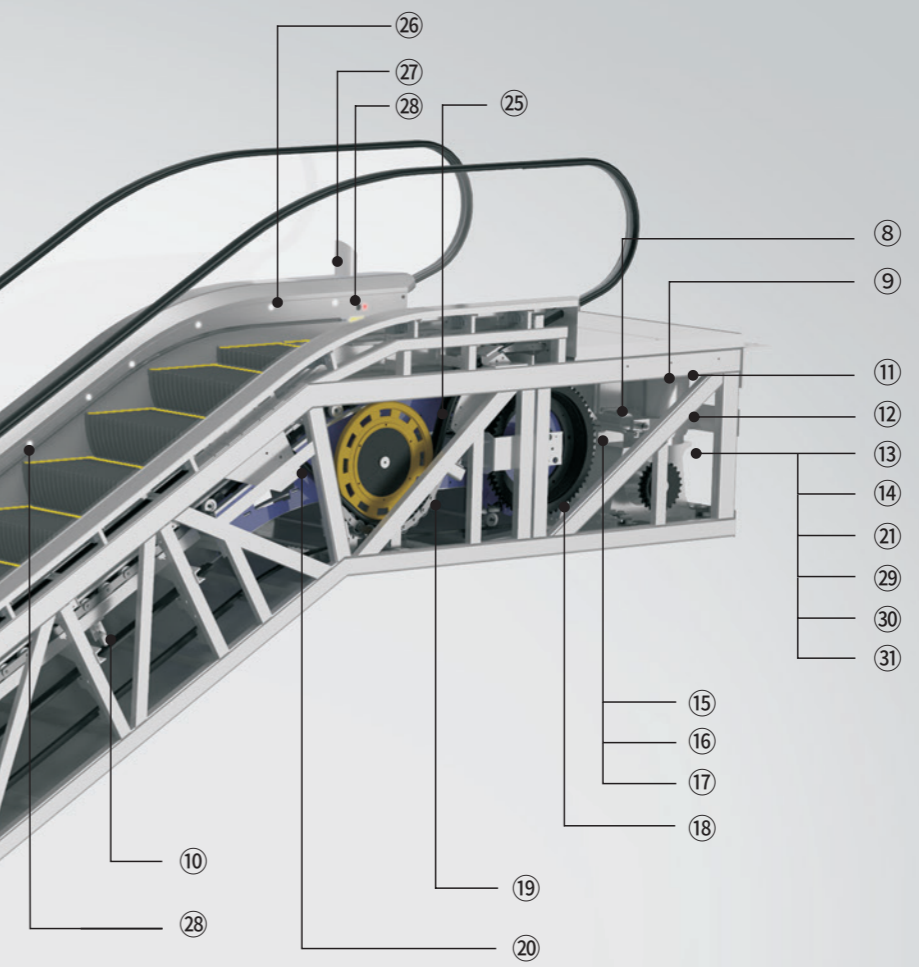
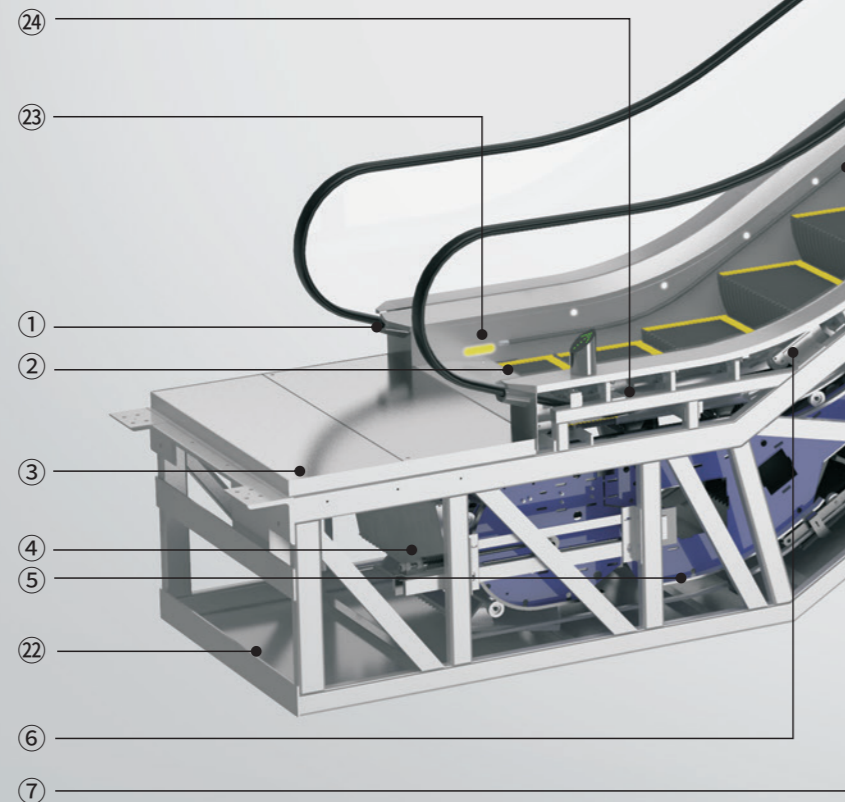
Jiangsu Muyang Yexing Furniture International Plaza Project



Datong Zhengde Plaza Project

MULTIPLE SAFETY TECHNOLOGY OMNIBEARING PROTECTION DESIGN

- ① Handrail entry protection
- ② Comb contact protection
- ③ Floor pallet missing protection function
- ④ Broken step chain protection
- ⑤ Step missing protection
- ⑥ Handrail speed monitoring
- ⑦ Skirting contact protection
- ⑧ The brake open to test
- ⑨ Over-load protection function
- ⑩ Step sag contact protection
- ⑪ Motor shield prevent opening
- ⑫ Main motor brake shoe inspection function
- ⑬ Contactor guard function
- ⑭ Fault display function
- ⑮ Over-speed protection function
- ⑯ Unintentional reversal of the travel direction



- ⑰ Phase monitor protection
- ⑱ Broken drive chain protection
- ⑲ Step missing protection
- ⑳ Step gap illumination
- ㉑ *Conversion function
- ㉒ *Water level detection function
- ㉓ *Comb plate illumination
- ㉔ *Handrail broken protection
- ㉕ *Additional braking function
- ㉖ *Skirt illumination
- ㉗ *Intelligent direction light function
- ㉘ *Voice Prompt Function
- ㉙ *Earthquake closing down
- ㉚ *Fire alarm protection
- ㉛ *Monitoring function

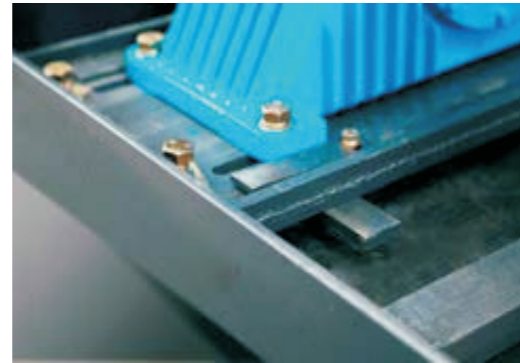
*Stands for non-standard configuration, and they need to customize by demands of elevator type. Please consult the local sale representative of IFE for the details.

ANTI REVERSE SAFETY PROTECTION DEVICE

Tractor base with high strength avoiding displacement

Under scientific mechanical calculation, the steel plate is stronger and thicker, with stronger compressive property and longer and stabler working time.

Multi fixed place designation, selection with high strength bolt to anti - cutting, failure, and loose Accurate traction machine limiter, machine position is fixed at strong position, double prevention for the traction machine displaced.



Additional Anti-Lock Brakes to Slow Stop the Escalator

the device can avoid sudden stop of the escalator. it will be a small displacement in the brake disk, similar to the vehicle ABS system. The escalator stops slowly can exclude the situations of slipping and protect the passengers.



Additional brake

If any of those situations happens to escalator or moving walkway

- Power failure or loss of power in the safety circuit
- Drive chain break
- The descending speed surpasses 1.4 times nominal speed
- Reversal

Make the escalator or moving walkway stop at the reduced speed effectively and keep it in the still status to guard the passenger' s safety.



Handrail Broken Belt Protection

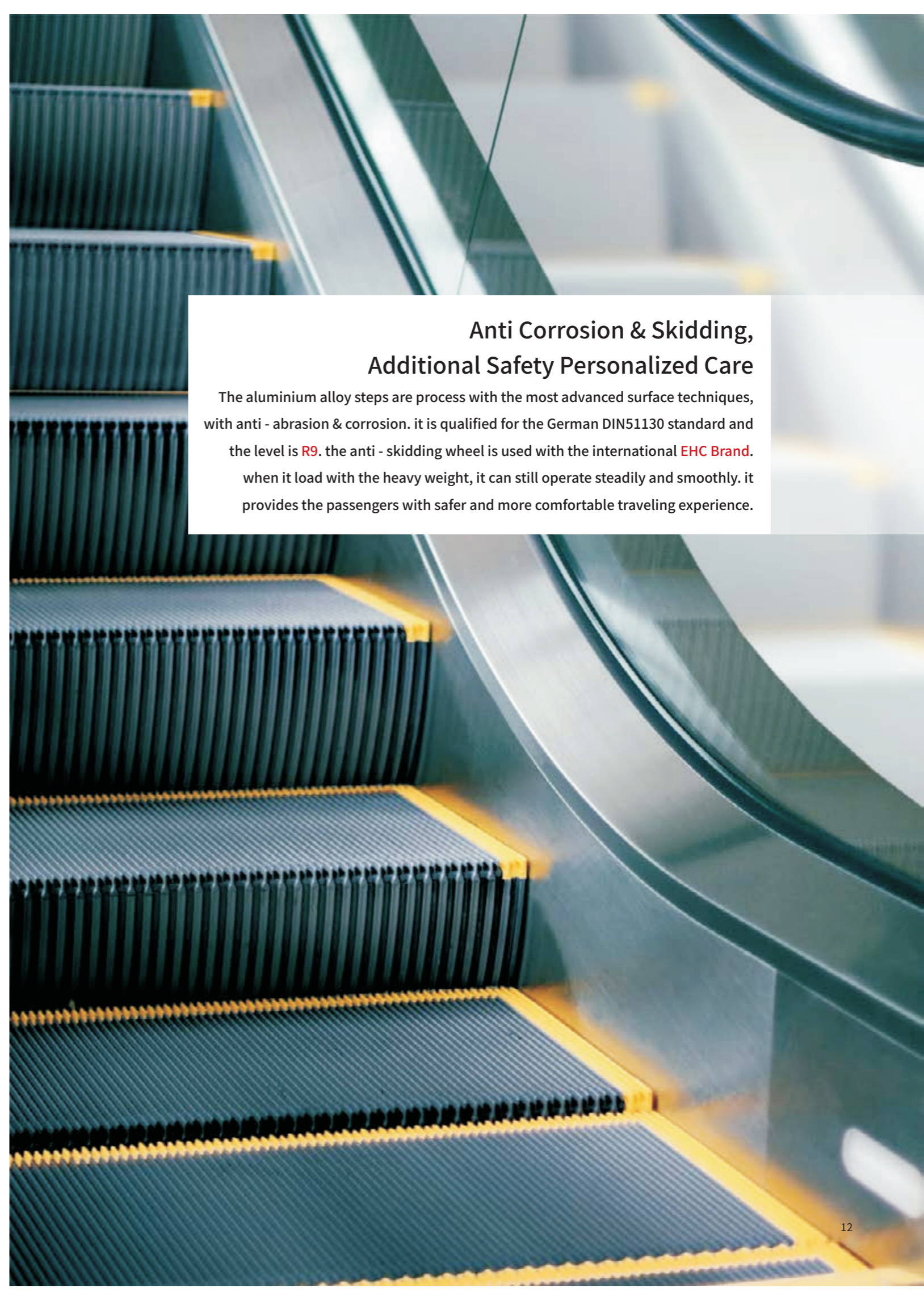
The Brand of the detector: Schneider

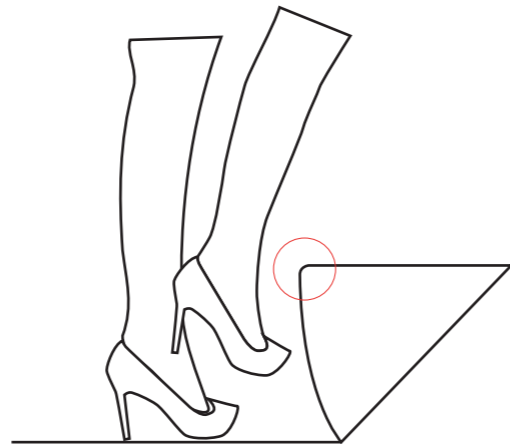
To detect the handrail broken or over extension risk.



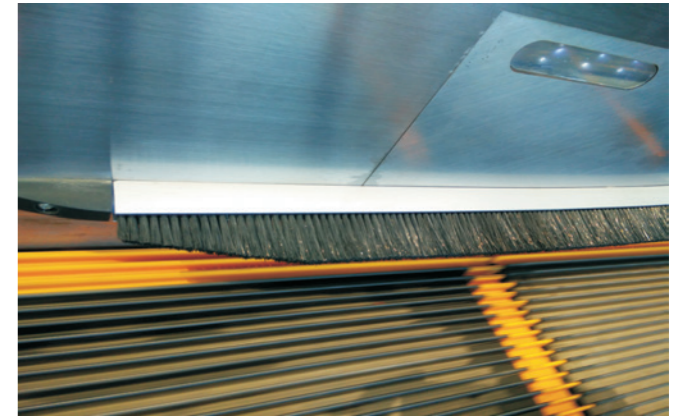
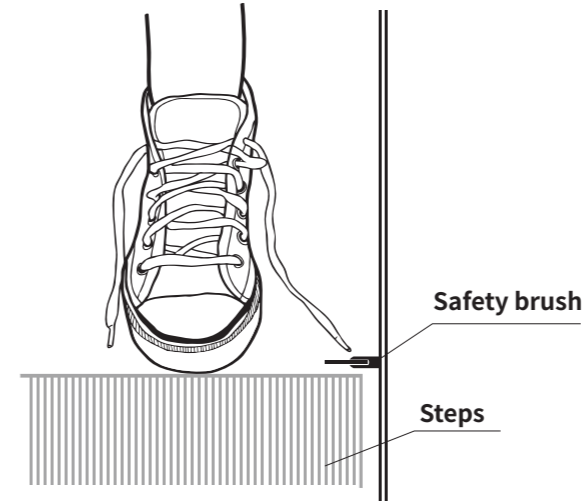
Anti Corrosion & Skidding, Additional Safety Personalized Care

The aluminium alloy steps are process with the most advanced surface techniques, with anti - abrasion & corrosion. it is qualified for the German DIN51130 standard and the level is R9. the anti - skidding wheel is used with the international EHC Brand. when it load with the heavy weight, it can still operate steadily and smoothly. it provides the passengers with safer and more comfortable traveling experience.



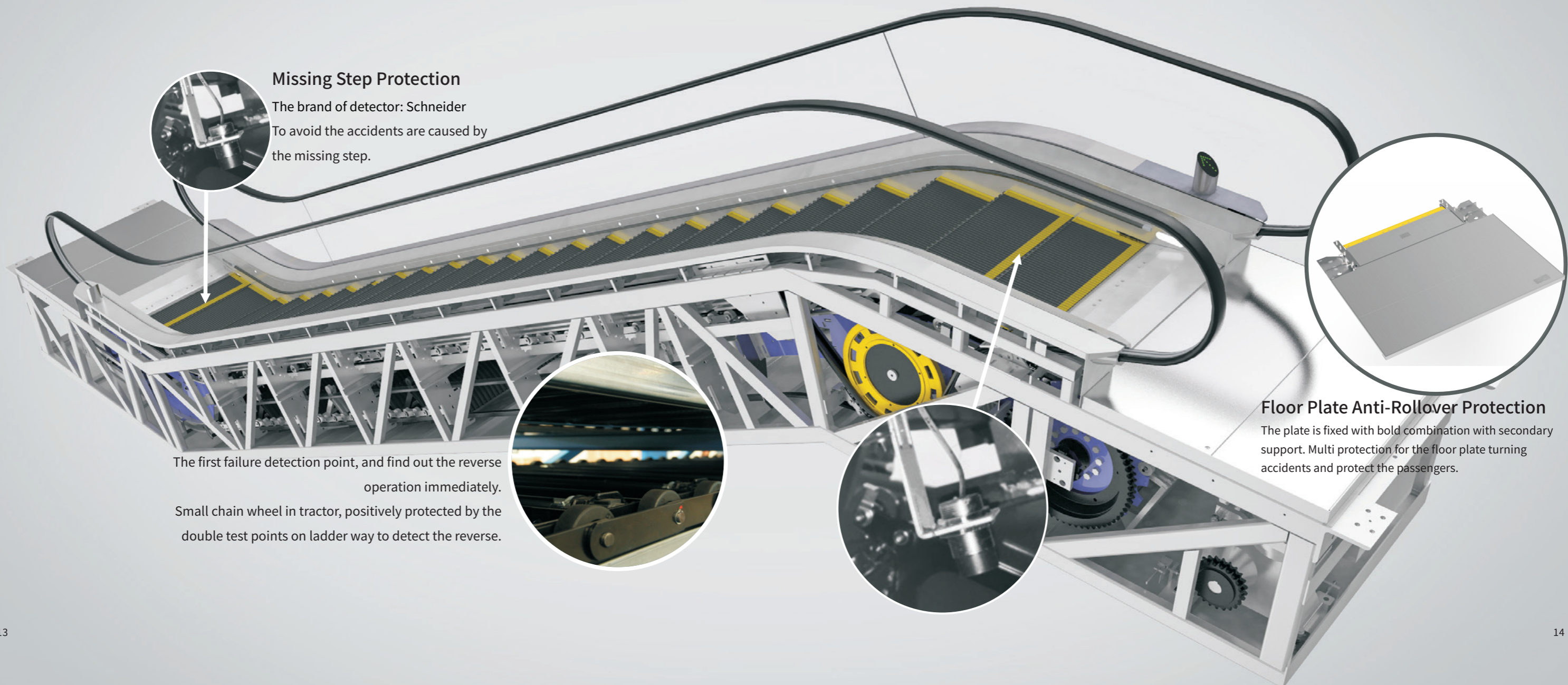


The Arc Angle Design Prevents the Leg of Passenger



Safety Brush

It positively protects the passengers to approach the skirt board, and avoid the debris and shoelaces to clip into the skirt board.



Missing Step Protection

The brand of detector: Schneider
To avoid the accidents are caused by the missing step.

The first failure detection point, and find out the reverse operation immediately.
Small chain wheel in tractor, positively protected by the double test points on ladder way to detect the reverse.

Floor Plate Anti-Rollover Protection

The plate is fixed with bold combination with secondary support. Multi protection for the floor plate turning accidents and protect the passengers.

QUALITY



European Union CE Certification



Russian CU Certification



Russian CU Heavy Duty Testing Report



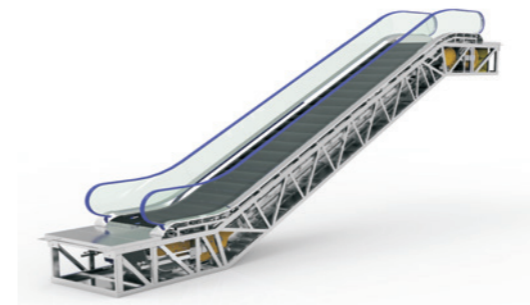


SAFETY

Is promised and security to the customer



TEUSS PLATFORM WITH HIGH STRENGTH, AVOIDING THE ACCIDENT WITH BROKEN COLLAPSE



Large Truss with Stronger Rigidity

The truss was designed with FEA, its rigidity and anti-distortion property reaching international advanced level. Its distortion rate when full loaded is only 1/1500, which is prior to the national standard (normal escalator is 1/750, and heavy duty escalator 1/1000).



Arch-shaped designation, carrying the Joint Force

It was supported by scientific new system designation. The arch-shaped components and truss components are connected. By carrying the force together, it apparently reduced the bending moment and the deflection of the truss components, and avoided the distortion of truss components efficiently.



Large support, carrying the force uniformly

The new designing plans are supported by automatic escalator with super-span. The large support in the middle area effectively relieves the weight of the whole escalator. Scientific force design enhances the stability of super-span truss, making it carry the force more uniformly and the stability higher.



Antiseismic technology protecting us from accidents

When there is an accident and is unavoidable, the security of the passengers is delicate. The application of antiseismic technology is effectively to protect the passengers.

WORLD-CLASS TECHNOLOGY, LIFE TIME OF TRUSS CAN REACH 30 YEARS



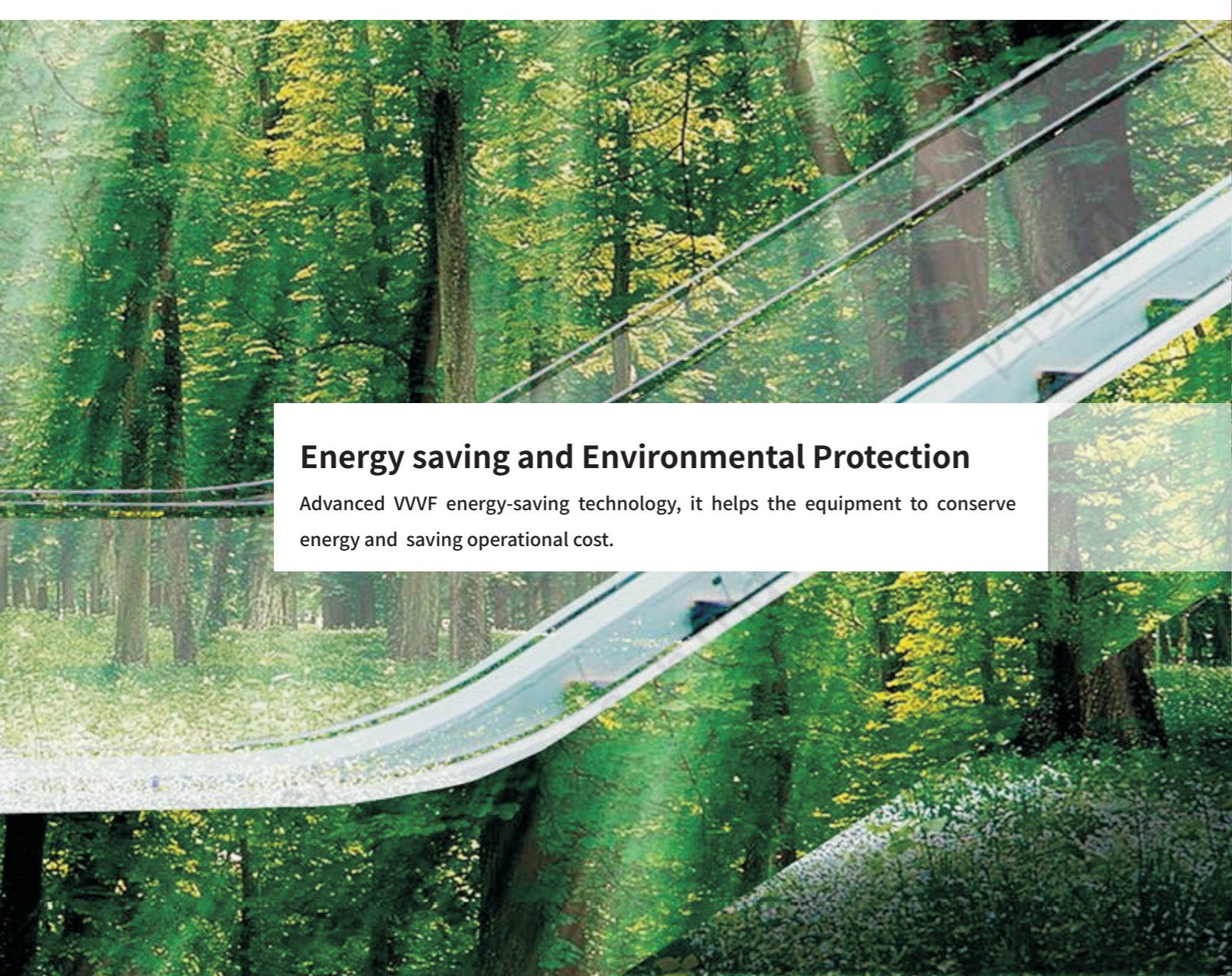
Instrument with High Precision for the thickness

Test the thickness of electrophoresis paint film precisely, and identify the film automatically. The thickness of the film is 100mm.



Truss surface handling

Truss can be adopted the handling way of hot dip zinc with rust prevention. The thickness of the surface of zinc layer is 80μm at least, and the maximum can reach 110μm. Enable to guarantee the truss of escalator and walkway are in use in the severe environment.

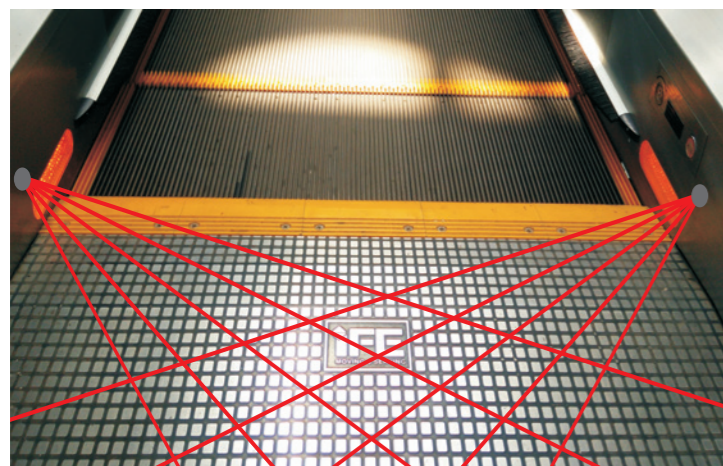


Energy saving and Environmental Protection

Advanced VVVF energy-saving technology, it helps the equipment to conserve energy and saving operational cost.



Advance VVVF Technology, Efficiently Energy Saving



Intelligent Operation

The brand of entrance sensor: Panasonic
To adopt the human body sensor system, the escalator operation can be followed by the traffic situation. It has completely solved the escalator uneven operation's problem, the maximum degree for the user to save energy.

APPLICABLE RANGE OF THE LADDER TYPE

Model	Specification		Occasion Usage
	30°	35°	
GRACES-ID	1500mm≤H≤8000mm	1500mm≤H≤6000mm	Indoor Commercial Building
GRACES-III	1500mm≤H≤8000mm	1500mm≤H≤6000mm	Outdoor Commercial Building
GRACES-LD	1500mm≤H≤9500mm	--	Subway & Metro Station, Airport with Public Transportation
GRACES-HD	1500mm≤H≤18000mm	--	Subway & Metro Station, Airport with Public Transportation
T2	L≤48906mm		Indoor Commercial Building

"H" means Height(mm), "L" means the length of the using section of automatic walkway(mm).

GRACES SERIES/T2 MOVING WALK FUNCTION TABLE

BASIC FUNCTION

Operation function

01	Bi-directional travel model	There is key switch in the upper/lower operation panel of escalator which can operates the escalator runs upward/downward according to the travelling direction
02	Inspection mode operation	There is inspection socket in the upper/lower controller. Open one inspection socket, close the other one, then insert the inspection plug inside the inspection box into the socket which can control the escalator inching upward/downward, in order to do maintenance easier
03	Intelligent direction lights	In the upper/lower entrances of the escalator to remind the passenger the correct travelling direction
04	Automatic lubrication	The escalator can be automatically lubricated 6 minutes after running 36 hours in total(the time can be reset), in order to lubricate the drive chain and traction chain, improve the running performance, prolong the lifespan
05	Alarm bell device	Before the escalator running, the alarm bell will ring 5 seconds to remind the escalator start. After the bell ring disappear, the passenger can only take the escalator.
06	Yellow demarcation line of Pallets	There is a yellow demarcation line in two sides of each step to remind the passenger not to stand out of the range of yellow demarcation line
07	Sequence starting function	During the escalator running, insert the key and rotate one time (regardless of the direction), which can realize the sequence starting. Now even turning the starting key on either direction does not affect the travel of the escalator

Safety functions

08	Broken drive chain protection	When drive chain broken or prolong, touch the safety protection switch, cut off the power and brake
09	Comb contact protection	When there is obstruction between step and comb, comb plate will move backward and approach the safety switch to make the escalator automatically stop
10	Handrail entrance contract protection	There are safety protection device in the 4 entries of handrail belt. If any obstruction or hands of passengers get into the entrance, touch the safety device switch, the safety switch will act: cut off the power and brake
11	Skirting contact protection	When there is obstruction between the skirting and step, make the skirting plate stress deformation, it will approach the safety switch act: cut off the power and brake
12	Step sag contact protection	When step sags, step kick plate will touch the safety contact, the safety switch will act: cut off the safety circuit and brake
13	Broken step chain protection	When any step traction chain broken or prolong, switch will immediately act: cut off the power and brake
14	Phase Monitor Protection	When phase loss, phase broken or phase reversal, phase relay will act: cut off the safety circuit, transmit a signal to stop the escalator and report the fault
15	Over-load protection Device	when escalator overload or overheating, overload protection device will act: cut off the safety circuit, transmit a signal to stop the escalator and report the fault
16	Motor shield prevent opening	When the shield is opening, on-off action, will automatically cut off the safety circuit to stop the escalator and report the fault
17	Handrail Broken Protection	when the handrail is broken or prolong, safety protection switch will act: cut off the power and brake.
18	Unintentional reversal of the travel direction	When the setting and actual traveling direction of escalator is of contrary, PESSRAE will automatically cut off the safety circuit, transmit a signal to stop the escalator and report the fault
19	Over-speed protection function	When actual speed of escalator exceeded 120%than of the nominal speed , PESSRAE will automatically cut off the safety circuit, transmit a signal to stop the escalator and report the fault
20	Handrail speed monitoring	When handrail actual speed deviates from the step or the belt actual speed exceeded 15% for more than 15 seconds,PESSRAE will automatically cut off the safety circuit, transmit a signal to stop the escalator and report the fault
21	Step missing protection	when step misses, inspection device operates, PESSRAE will automatically cut off the safety circuit, transmit a signal to stop the escalator and report the fault
22	Floor pallet missing protection	When floor pallet missing, floor pallet inspection device acts: cut off the safety circuit, transmit a signal to stop the escalator and report the fault
23	The brake open to test	when start without the brake opening, PESSRAE will automatically cut off the safety circuit, transmit a signal to stop the working
24	Contact guard function	During the escalator stops, if the contactor has adhesion failure, the protection function will act and all operation will be invalid which can only solve the problem after removing the adhesion failure and power reset
25	Step gap illumination	There are green illuminating lights under the upper/ lower ending steps of the escalator to make passengers see the step edge clearly to avoid danger
26	Fault display	There is fault display board inside the controller which can display the normal operation status and safety switch fault situation
27	Additional braking	When abnormally reverse or the drive chain is breaking, the additional break will stop the elevator in safety

OPTIONAL FUNCTION

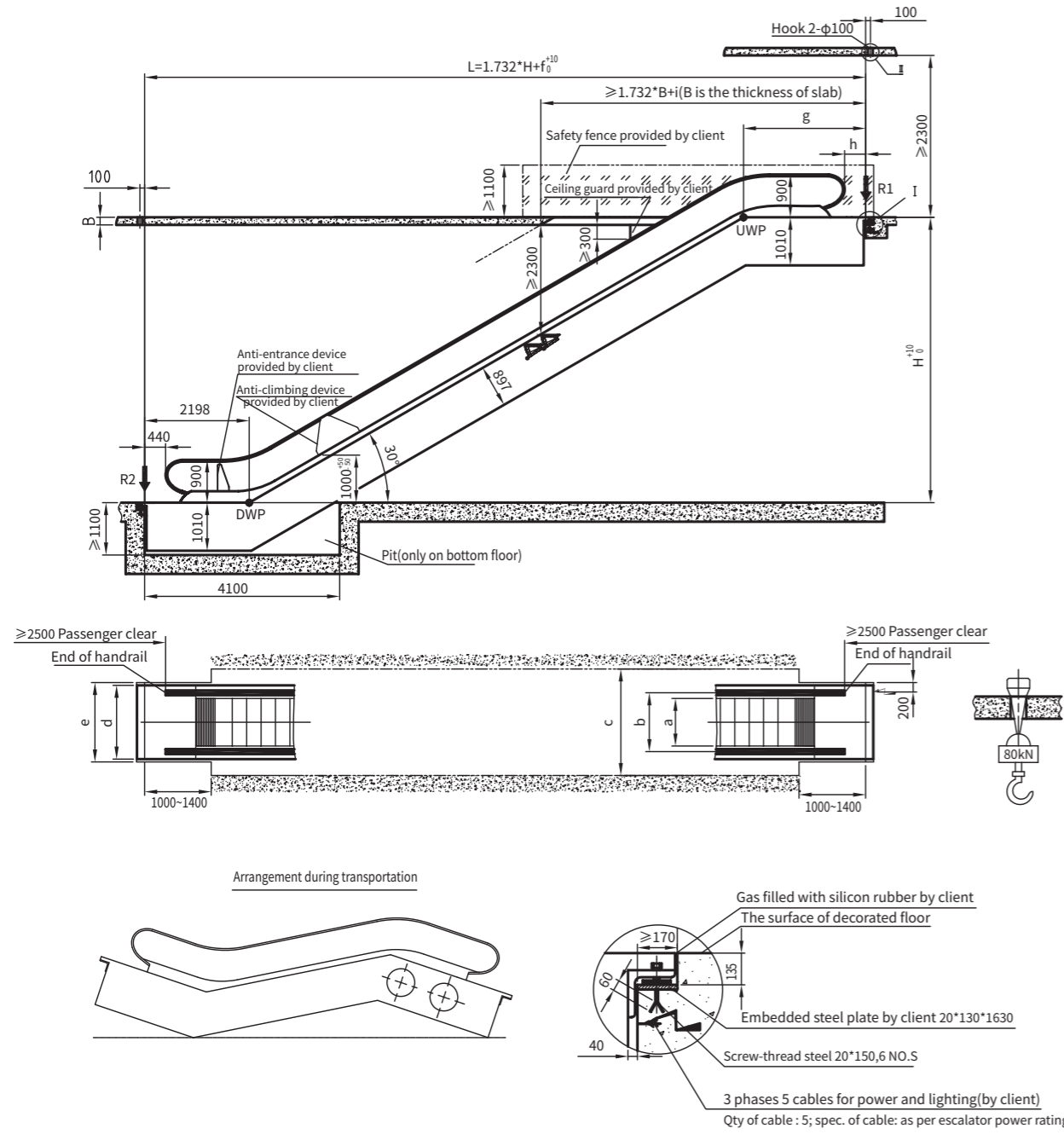
Optional functions

01	Frequency conversion	Based on the customer's request , by spin the key switch up& down to choose different operation model
02	Comb plate Illumination	There are white illuminating lights on the top of the upper/ lower leveling comb plate to make passengers see the edge between comb plates and step clearly to avoid danger
03	Skirting Illumination	The LED light bar is installed on top of skirting board to make passengers keep distance from the skirting board to avoid danger
04	Handrail Belt Illumination	The LED light bar is installed inside handrail profile to make passengers hold the handrail tightly and decorate the escalator
05	Voice prompt	When travelling, the loudspeaker will frequently repeat to remind the passenger to mind the safety& arriving level. The voice signal is supplied by the buyer
06	Earthquake closing down	When break out the earthquake, will stop to protect the passengers and device. The earthquake alarm signal is supplied by the buyer.
07	Fire alarm protection	When break out the fire, will stop to protect the passengers and device. The fire alarm signal is supplied by the buyer
08	Monitoring system	This function contains up and down, stop, malfunction display and remote stop of each set, easy for the administrator to control
09	Ladder heating function	The heating function is utilized to preheat the whole rotary step before booting the escalator at the low temperature of outside, which melts the ice to prevent the passenger from slipping and protect the step
10	Main motor brake shoe wear detection function	Main motor brake shoe wear detection device is installed in escalator drive, protecting the motor efficiently
11	Water level detection function	Water level detection device is set in the lower machine room of escalator. When the water in the machine room is beyond the warning line, the escalator stops running with the water level detection acting

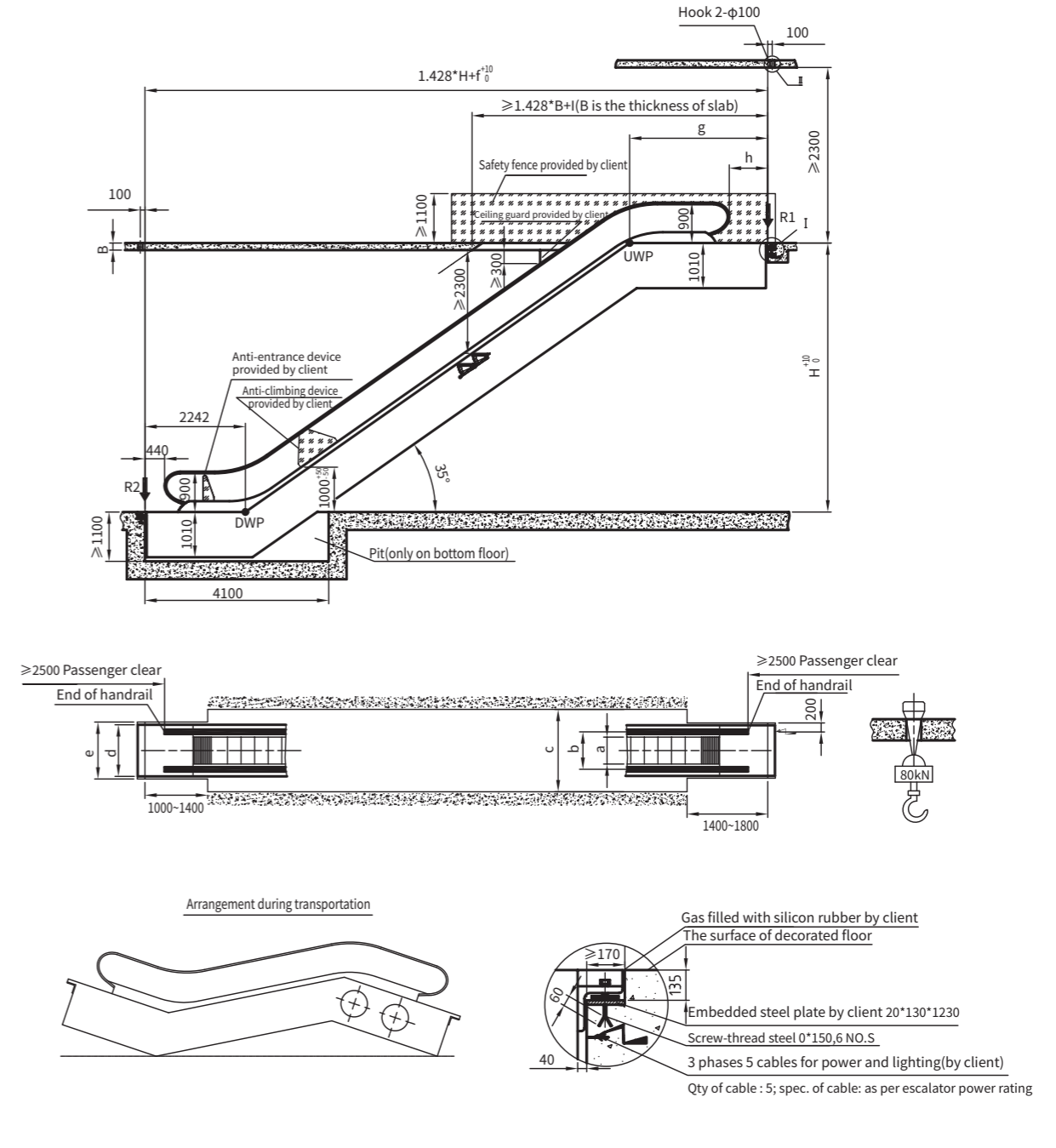


CONSTRUCTION PARAMETERS

GRACES ID-30°(H≤6m)



GRACES ID-35°(H≤6m)



Company: mm

	600	800	1000
a	600	800	1000
b	837	1037	1237
c	≥1840	≥2040	≥2240
d	1150	1350	1550
e	≥1270	≥1470	≥1670
f	5182	4765	4765
g	2984	2567	2567
h	857	440	440
i	7168	6751	6751

- Note: 1.R1、R2 represents single escalator supporting located at the supporting position of R1,R2 respectively(kN)
 2.The number of step of horizontally moving running: 2
 3.Handrail: toughened safety glass. The height of handrail: 900mm
 4.The above content and data are only for reference and do not represent all specifications of the company.
 If you want to get into detail, please contact the local sale representative of IFE to obtain the newest information on drawing.

Step Width (mm)	Travel Height (mm)	Total quality of single escalator (kg)	R1 (kN)	R2 (kN)	motor power (kW)
600	3000	5700	46	41	5.5
	3500	6000	49	44	
	4000	6400	52	47	
	4500	6800	56	50	8
	5000	7100	59	53	
	5500	7500	62	56	
6000	7900	65	59		
800	3000	5900	52	47	5.5
	3500	6300	56	50	
	4000	6700	60	54	
	4500	7100	64	57	8
	5000	7400	68	60	
	5500	8200	74	66	
6000	8600	78	69	11	
1000	3000	6300	59	53	5.5
	3500	6700	64	57	
	4000	7100	68	61	
	4500	7500	73	65	8
	5000	8300	79	71	
	5500	8700	84	75	
6000	9200	88	79	11	

Company: mm

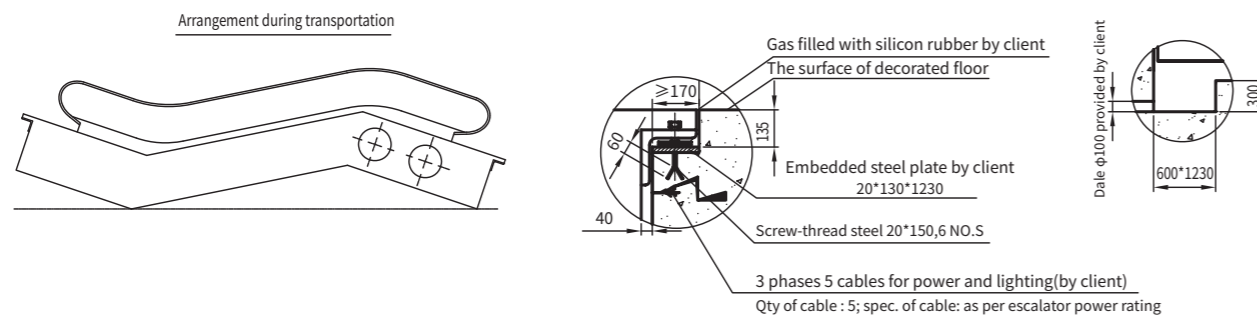
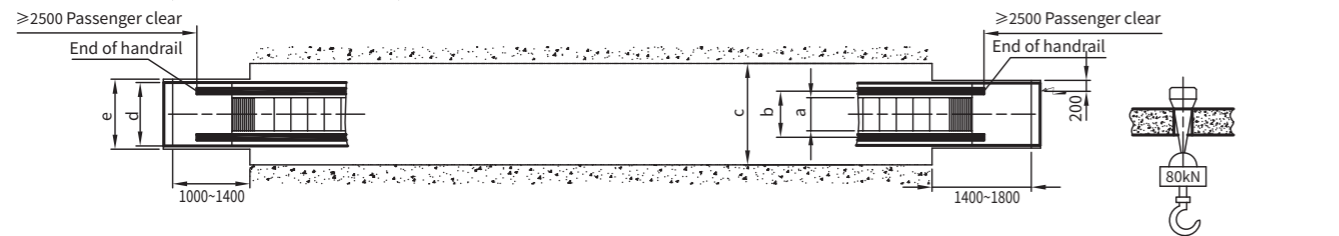
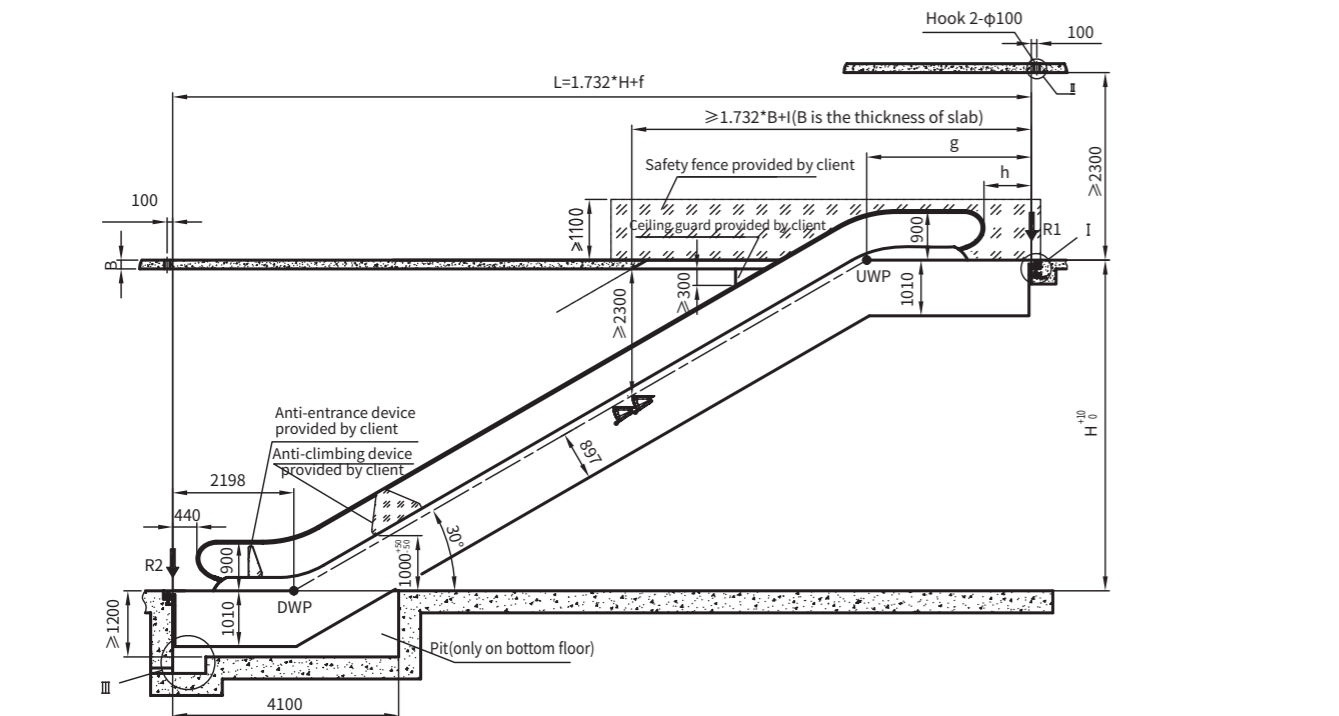
	600	800	1000
a	600	800	1000
b	837	1037	1237
c	≥1840	≥2040	≥2240
d	1150	1350	1550
e	≥1270	≥1470	≥1670
f	5322	4905	4905
g	3080	2663	2663
h	857	440	440
i	6565	6148	6148

- Note: 1.R1、R2 represents single escalator supporting located at the supporting position of R1,R2 respectively(kN)
 2.The number of step of horizontally moving running: 2
 3.Handrail: toughened safety glass. The height of handrail: 900mm
 4.The above content and data are only for reference and do not represent all specifications of the company.
 If you want to get into detail, please contact the local sale representative of IFE to obtain the newest information on drawing.

Step Width (mm)	Travel Height (mm)	Total quality of single escalator (kg)	R1 (kN)	R2 (kN)	motor power (kW)
600	3000	5400	43	39	5.5
	3500	5700	46	41	
	4000	6000	49	44	
	4500	6400	52	46	8
	5000	6700	54	49	
	5500	7000	57	51	
6000	7300	60	54		
800	3000	5600	49	44	5.5
	3500	6000	52	47	
	4000	6300	56	50	
	4500	6600	59	53	8
	5000	7000	62	56	
	5500	7300	65	59	
6000	7600	69	61	11	
1000	3000	6000	56	50	5.5
	3500	6400	60	53	
	4000	6700	64	57	
	4500	7100	67	60	8
	5000	7400	71	64	
	5500	8200	77	69	
6000	8500	81	72	11	

CONSTRUCTION PARAMETERS

GRACES III-30°(H≤6m)



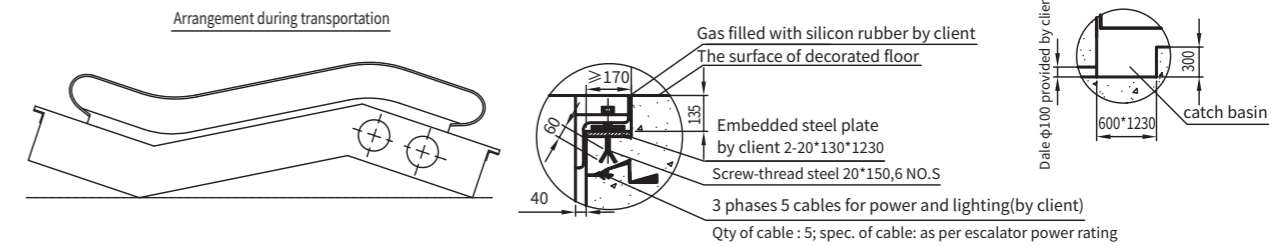
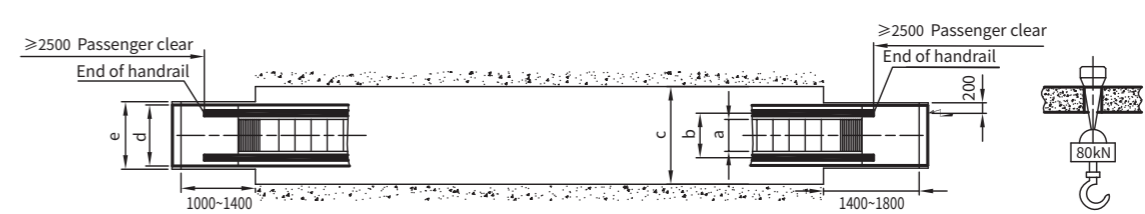
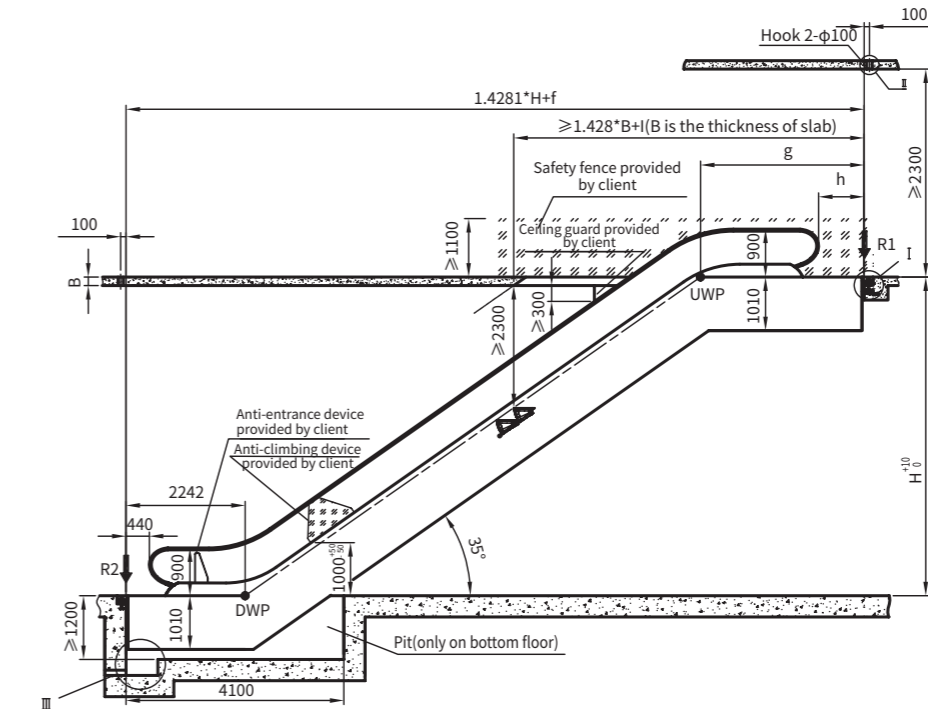
Company: mm

a	600	800	1000
b	837	1037	1237
c	≥1840	≥2040	≥2240
d	1150	1350	1550
e	≥1270	≥1470	≥1670
f	5182	4765	4765
g	2984	2567	2567
h	857	440	440
i	7168	6751	6751

- Note: 1.R1、R2 represents single escalator supporting located at the supporting position of R1,R2 respectively(kN)
 2.The number of step of horizontally moving running: 2
 3.Handrail: toughened safety glass. The height of handrail: 900mm
 4.The above content and data are only for reference and do not represent all specifications of the company.
 If you want to get into detail, please contact the local sale representative of IFE to obtain the newest information on drawing.

Step Width (mm)	Travel Height (mm)	Total quality of single escalator (kg)	R1 (kN)	R2 (kN)	motor power (kW)
600	3000	5700	46	41	5.5
	3500	6000	49	44	
	4000	6400	52	47	
	4500	6800	56	50	8
	5000	7100	59	53	
	5500	7500	62	56	
800	3000	5900	52	47	5.5
	3500	6300	56	50	
	4000	6700	60	54	
	4500	7100	64	57	8
	5000	7400	68	60	
1000	3000	6300	59	53	5.5
	3500	6700	64	57	
	4000	7100	68	61	
	4500	7500	73	65	8
	5000	8300	79	71	
5500	8700	84	75	11	
6000	9200	88	79		

GRACES III-35°(H≤6m)



Company: mm

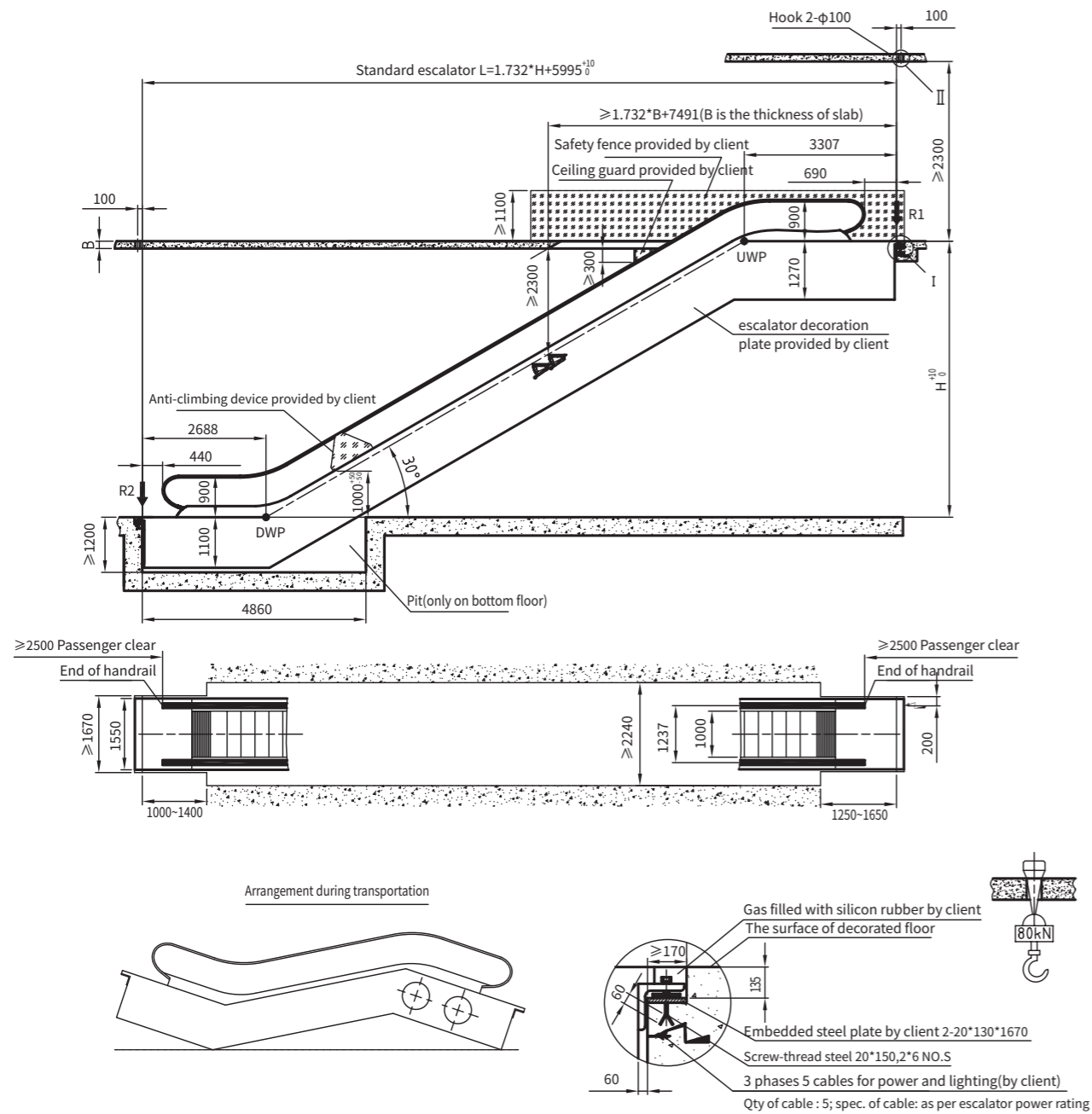
a	600	800	1000
b	837	1037	1237
c	≥1840	≥2040	≥2240
d	1150	1350	1550
e	≥1270	≥1470	≥1670
f	5322	4905	4905
g	3080	2663	2663
h	857	440	440
i	6565	6148	6148

- Note: 1.R1、R2 represents single escalator supporting located at the supporting position of R1,R2 respectively(kN)
 2.The number of step of horizontally moving running: 2
 3.Handrail: toughened safety glass. The height of handrail: 900mm
 4.The above content and data are only for reference and do not represent all specifications of the company.
 If you want to get into detail, please contact the local sale representative of IFE to obtain the newest information on drawing.

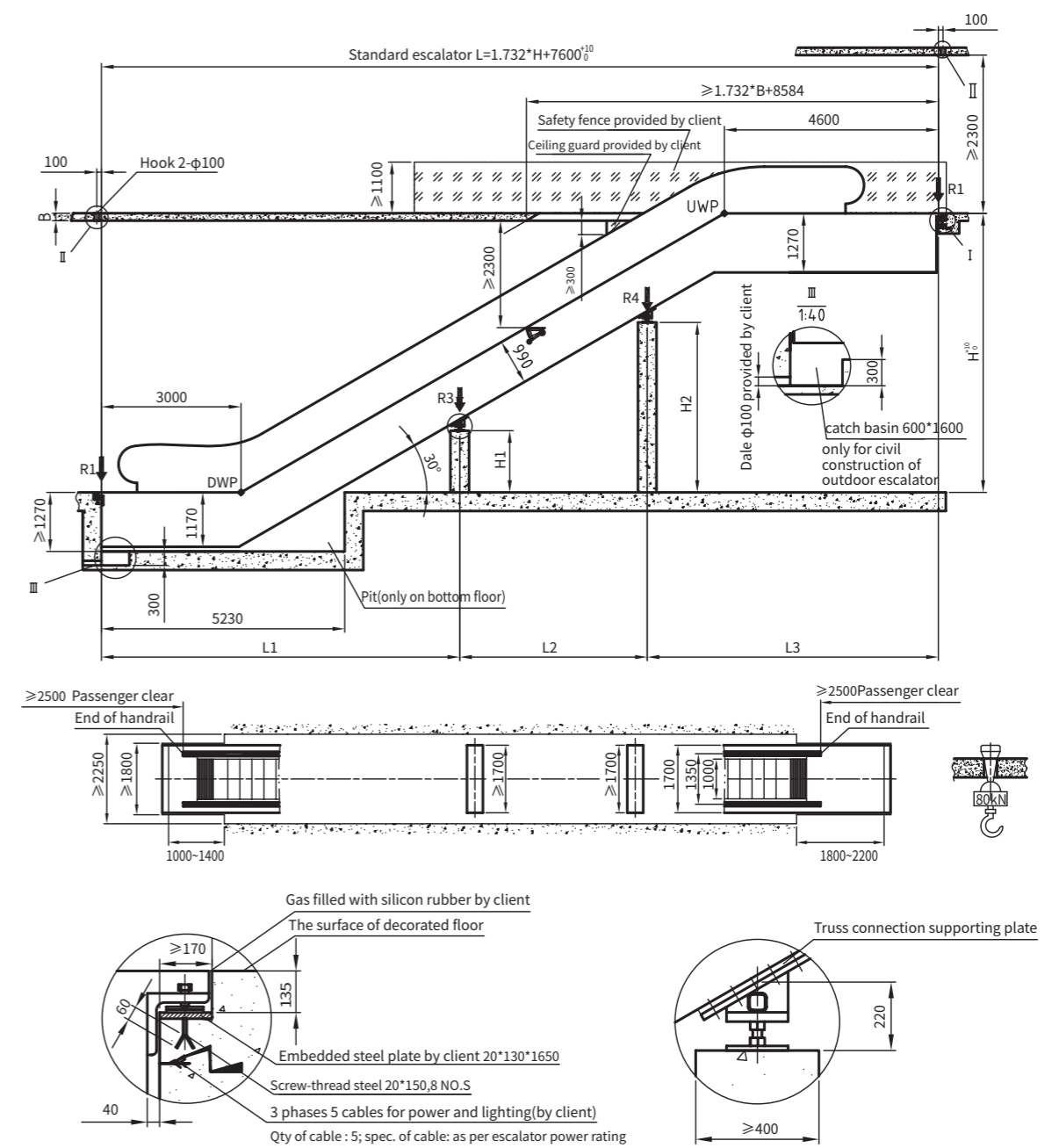
Step Width (mm)	Travel Height (mm)	Total quality of single escalator (kg)	R1 (kN)	R2 (kN)	motor power (kW)
600	3000	5400	43	39	5.5
	3500	5700	46	41	
	4000	6000	49	44	
	4500	6400	52	46	8
	5000	6700	54	49	
	5500	7000	57	51	
800	3000	5600	49	44	5.5
	3500	6000	52	47	
	4000	6300	56	50	
	4500	6600	59	53	8
	5000	7000	62	56	
1000	3000	6000	56	50	5.5
	3500	6400	60	53	
	4000	6700	64	57	
	4500	7100	67	60	8
	5000	7400	71	64	
5500	7700	74	67	11	
6000	8100	77	70		

CONSTRUCTION PARAMETERS

GRACES LD-30°(H≤5m)



GRACES HD-30°(H≤12m)



Step Width (mm)	Travel Height (mm)	Total quality of single escalator (Kg)	R1 (kN)	R2 (kN)	motor power (kW)
1000	3000	6300	76	61	8
	3500	6700	80	65	
	4000	7100	84	69	
	4500	7500	88	73	11
	5000	8300	93	78	

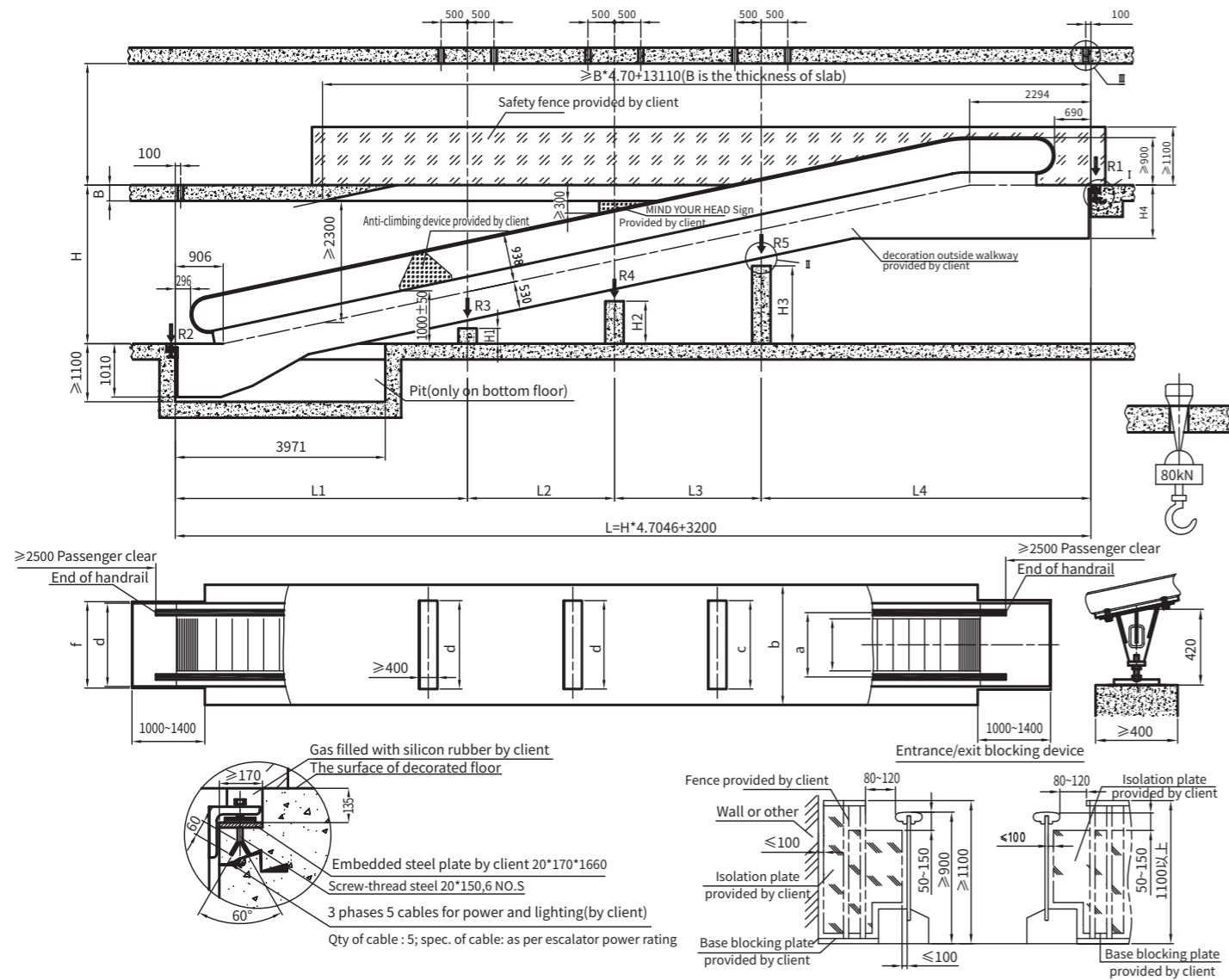
- Note: 1.R1、R2 represents single escalator supporting located at the supporting position of R1,R2 respectively(kN)
 2.The number of step of horizontally moving running: 3
 3.Handrail: toughened safety glass. The height of handrail: ≥900mm
 4.The above content and data are only for reference and do not represent all specifications of the company.
 If you want to get into detail, please contact the local sale representative of IFE to obtain the newest information on drawing.

Step Width (mm)	Travel Height (mm)	R1 (kN)	R2 (kN)	R3 (kN)	R3 (kN)	H1 (mm)	H2 (mm)	L1 (mm)	L2 (mm)	L3 (mm)
1000	2000≤H≤4500	L1*q1+17	L1*q1+10						L	
	4500<H≤6000	L1*q1+17	L1*q1+10						L	
	6000<H≤8500	L2*q1+17	L1*q1+10	(L1+L2)*q1+15		H/2-926	H/2-926	L/2	L/2	
	8500<H≤12000	L3*q1+17	L1*q1+10	(L1+L2)*q1+15	(L2+L3)*q2+15	H/3-1658	H/3-1658	L/3	L/3	L/3

- Note: 1.R1、R2、R3、R4 represents single escalator supporting located at the supporting position of R1、R2、R3、R4 respectively(kN)
 2.Constant $q1=0.0052$ 、 $q2=0.0053$
 3.The number of step of horizontally moving running: 3
 4.Handrail: toughened safety glass. The height of handrail: ≥900mm
 5.The above content and data are only for reference and do not represent all specifications of the company.
 If you want to get into detail, please contact the local sale representative of IFE to obtain the newest information on drawing.

CONSTRUCTION PARAMETERS

T2-12°(H≤7.5m)



Company: mm	
a	800 1000
b	1037 1237
c	≥2110 ≥2310
d	1500 1700
e	1400 1600
f	≥1460 ≥1660

- Note: 1.R1、R2、R3、R4 represents single escalator supporting located at the supporting position of R1、R2、R3、R4 respectively(kN)
 2.Constant $q=0.005$
 3.The number of step of horizontally moving running: 3
 4.Handrail: toughened safety glass. The height of handrail: 900mm
 5.The above content and data are only for reference and do not represent all specifications of the company.
 If you want to get into detail, please contact the local sale representative of IFE to obtain the newest information on drawing.

Step Width (mm)	Travel Height (mm)	motor power (kW)	R1 (kN)	R2 (kN)	R3 (kN)	R4 (kN)	R5 (kN)	H1 (mm)	H2 (mm)	H3 (mm)	H4 (mm)	L1 (mm)	L2 (mm)	L3 (mm)	L4 (mm)
800	1600≤H≤1856	5.5	L*q+9.5	L*q+4.5							1010	L			
	1856<H≤2500	8	L2*q+9.5	L1*q+4.5	(L1+L2)*1.3*q			H/2-840			1010	L/2	L/2		
	2500<H≤4000	8	L2*q+9.5	L1*q+4.5	(L1+L2)*1.3*q			H/2-840			1010	L/2	L/2		
	4000<H≤4353	11	L2*q+9.5	L1*q+4.5	(L1+L2)*1.3*q			H/2-840			1010	L/2	L/2		
	4353<H≤5500	11	L2*q+9.5	L1*q+4.5	(L1+L2)*1.3*q	(L2+L3)*1.3*q		H/3-953	2H/3-726		1010	L/3	L/3	L/3	
1000	1600≤H≤1856	5.5	L*q+11	L*q+5							1010	L			
	1856<H≤2500	8	L2*q+11	L1*q+5	(L1+L2)*1.3*q			H/2-840			1010	L/2	L/2		
	2500<H≤3500	8	L2*q+11	L1*q+5	(L1+L2)*1.3*q			H/2-840			1010	L/2	L/2		
	3500<H≤4353	11	L3*q+11	L1*q+5	(L1+L2)*1.3*q			H/2-840			1010	L/3	L/3	L/3	L/3
	4353<H≤5000	11	L3*q+11	L1*q+5	(L1+L2)*1.3*q	(L2+L3)*1.3*q		H/3-953	2H/3-726		1010	L/3	L/3	L/3	L/3

GRACES SERIES MAIN PARAMETERS TABLE

Step width	600mm	800mm	1000mm						
Inclination Degree	30°/35°								
Application scope	Indoor/outside door, 12 hours/per day								
Major parameters	Travel height	1500≤H≤21(30°)/1500≤H≤6000(35°)							
	Level step	H≤6m, 2level grade; H>6m ,3level grade							
	Transport ability	3600p/h	4800p/h	6000p/h					
	Rated speed	0.5m/s							
	Power supply	AC380V 50Hz; single ground wire							
Drive motor	Light power	AC220V 50Hz							
	Travel height	≤5000mm	≤6000mm	≤4000mm	≤5000mm	≤6000mm	≤3000mm	≤4500mm	≤6000mm
Motor power	5.5kW	8kW	5.5kW	8kW	11kW	5.5kW	8kW	11kW	15kW

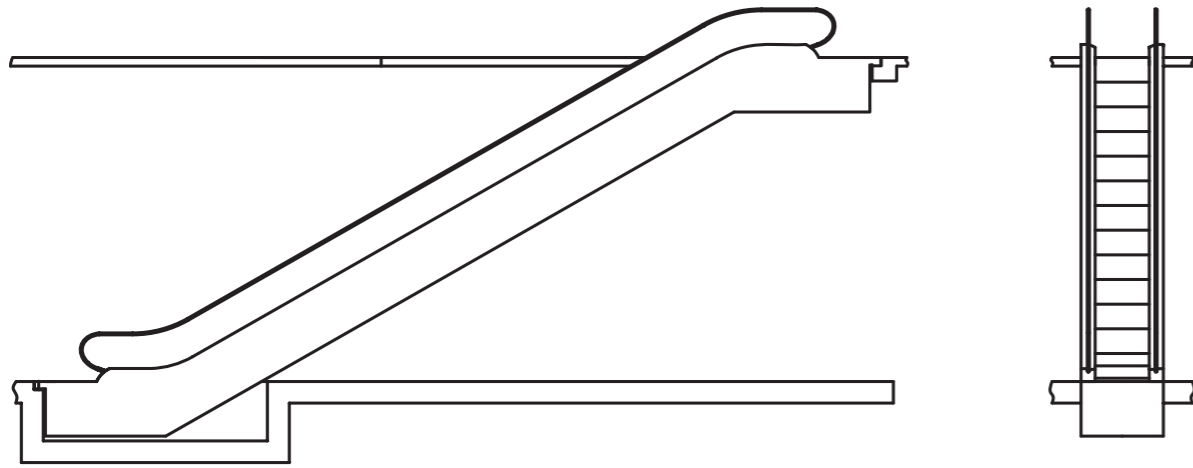
* For specific parameters please refer to the drawings.

T2 MOVING WALK MAIN PARAMETERS TABLE

Inclination Degree	12°/0°				
Application	Indoor, able to operate 12hours/day				
Basic parameters	Level length	L≤48906mm			
	Rated speed	0.5m/s			
	Power supply	AC380V 50Hz; single ground wire			
	Light power	AC220V 50Hz			
Drive motor	Step specification	800mm			
	Inclination degree	12°			
	Travel height	H≤2500(mm)	2500<H≤4000(mm)	4000<H≤5500(mm)	5500<H≤7500(mm) 7500<H≤8000(mm)
	Motor power	5.5kW	8kW	11kW	15kW 18.5kW
	Step specification	1000mm			
	Inclination degree	12°			
	Travel height	H≤2500(mm)	2500<H≤3500(mm)	3500<H≤5000(mm)	5000<H≤7000(mm) 7000<H≤8000(mm)
	Motor power	5.5kW	8kW	11kW	15kW 18.5kW
	Step specification	800mm/1000mm			
	Inclination degree	0°			
Level length	L≤48906mm				
Motor power	5.5kW				

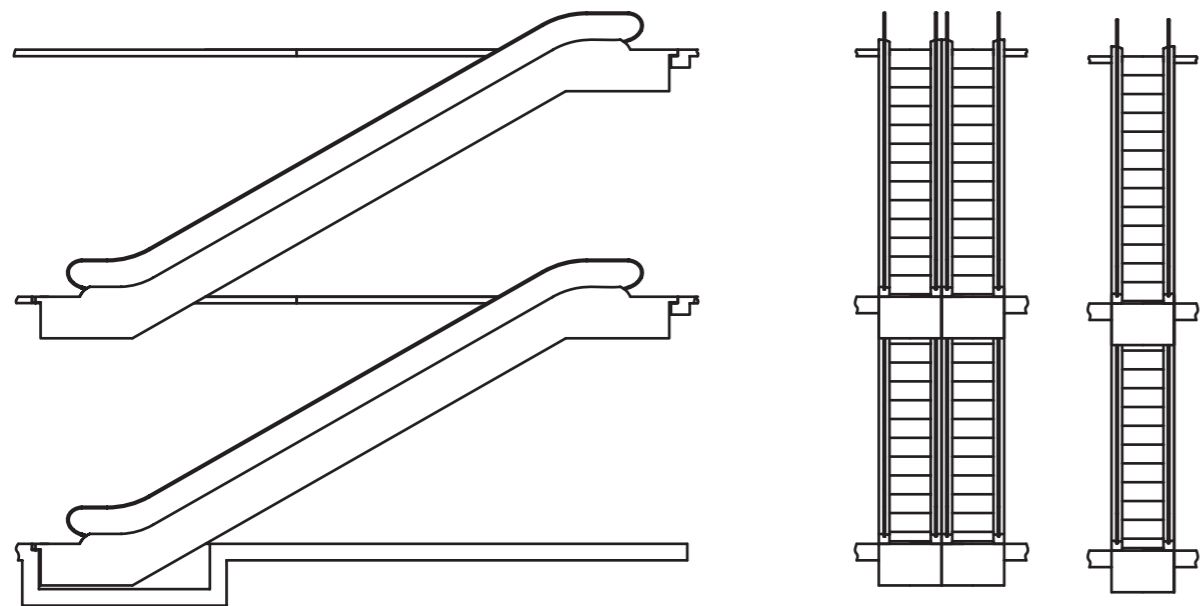
* For specific parameters please refer to the drawings.

REASONABLE LAYOUT



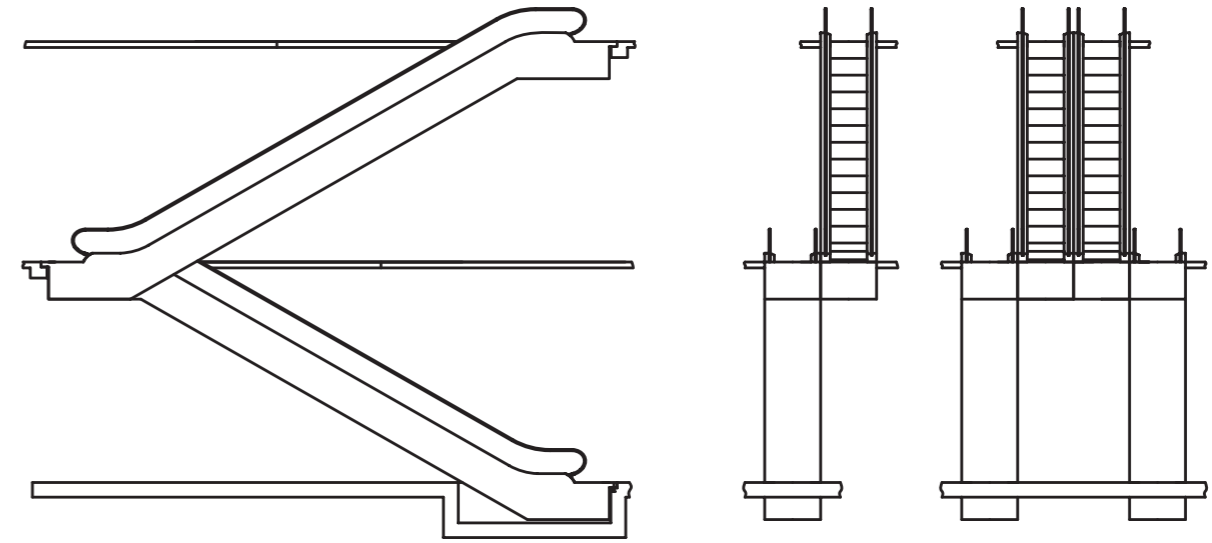
Single layout

Use one set to connect the two lays, suitable for the building of passenger flow into one direction. And can change flexible to meet the passenger flow needs.



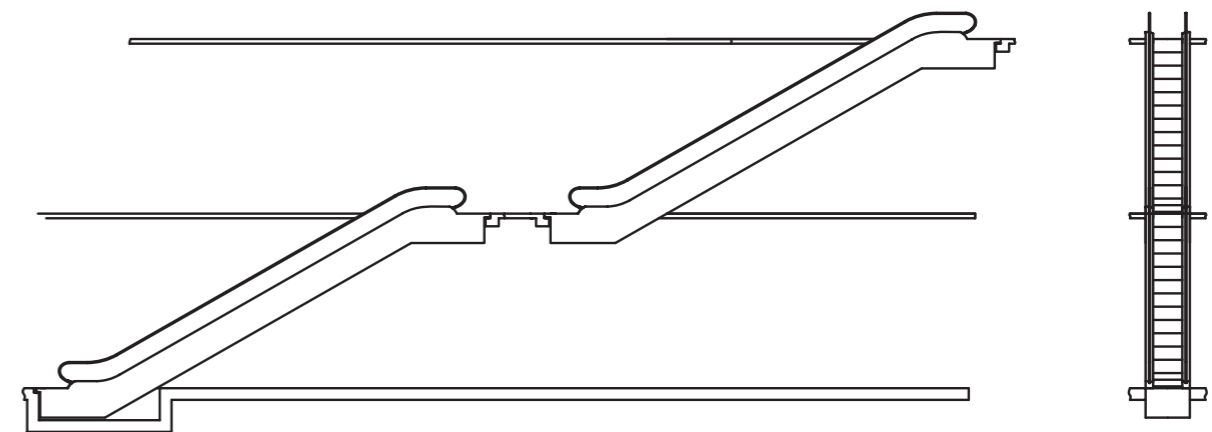
Parallel disconnect layout

Usually used in the plaza and public facilities of large passenger flow. When has more than 3sets, will change the direction as the passenger flow.



Duplex continuous layout

Usually used in the small department store, interlink the three stores. This way needs much room than disconnect layout.



Syntropy continuous layout

Usually used in the indoor and outdoor facilities, which need more room.